

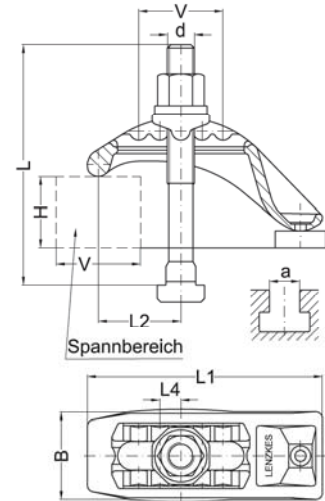
Spannbügel S 33 – S 45 komplett

Spannkraft: **bis 55 kN**

Einsatzgebiete vorzugsweise:
Kunststoff, Umform- und Zerspanungstechnik

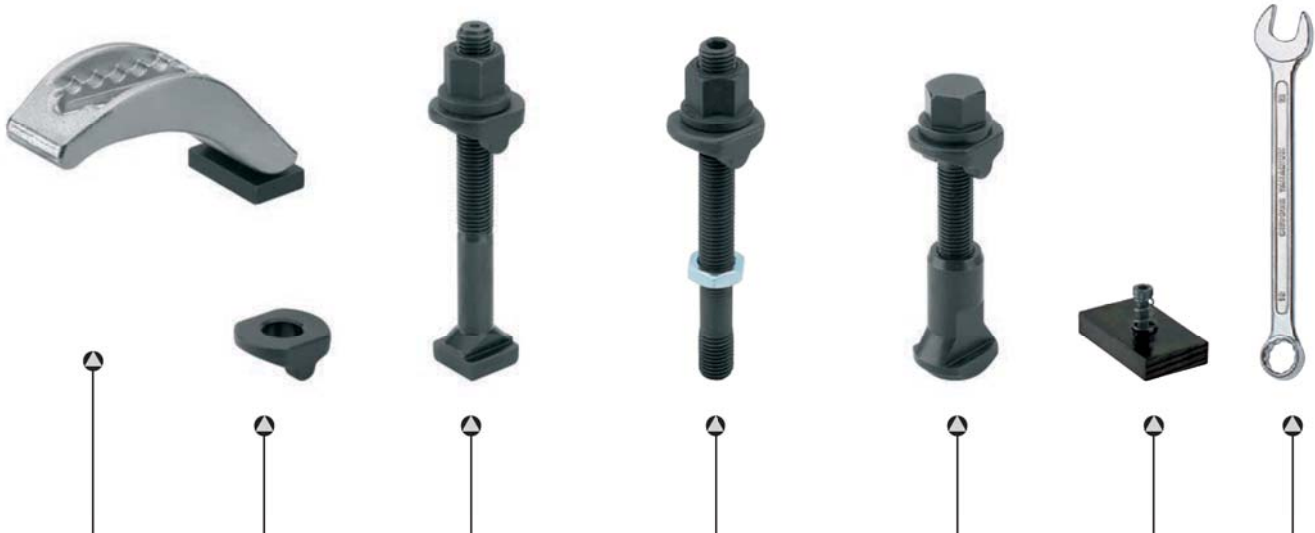
- vertikal stufenlos und horizontal im Rastermaß verstellbar
- bei S45 keine überstehenden Schraubenenden

- Material: legierter Edelstahl, gehärtet, dadurch höhere Spannkraft
- Spannbügel: gesenkgeschmiedet



| H | d | a | für T-Nutenführungen | | | für Gewindebohrungen inkl. Stützmutter | | für T-Nutenführungen (kein überstehendes Gewinde) | | | V | B | L1 | L2 | L4 | kN |
|-------|-----|--------------|----------------------|--|---|--|---|---|--|----|----|-----|-------|-------|----|----|
| | | | Best.-Nr. | | | Best.-Nr. | | Best.-Nr. | | | | | | | | |
| 0-45 | M08 | 10 | - | | | - | | 045-045-0810 | | | 36 | 48 | 105 | 20-65 | 12 | 12 |
| | M10 | 10 | 033-045-1010 | | | - | | - | | | | | | | | |
| | M10 | 12 | - | | | 033-045-10-1 | | 045-045-1012 | | 15 | | | | | | |
| | M12 | 12 | 033-045-1212 | | | - | | - | | | | | | | | |
| | M12 | 14 | 033-045-1214 | | | 033-045-12-1 | | 045-045-1214 | | | | | | | | |
| 0-45 | M14 | 16 | 033-045-1416 | | | 033-045-14-1 | | 045-045-1416 | | 36 | 53 | 110 | 20-65 | 12 | 25 | |
| | M16 | 16 | 033-045-1616 | | | - | | - | | | | | | | | |
| | M16 | 18 | 033-045-1618 | | | 033-045-16-1 | | 045-045-1618 | | | | | | | | |
| | M16 | 20 | 033-045-1620 | | | - | | 045-045-1620 | | | | | | | | |
| | M16 | 22 | 033-045-1622 | | | - | | 045-045-1622 | | | | | | | | |
| 10-70 | M10 | 12 | 033-070-1012 | | | 033-070-10-1 | | 045-070-1012 | | 50 | 53 | 140 | 22-72 | 13 | 18 | |
| | M12 | 12 | 033-070-1212 | | | - | | - | | | | | | | | |
| | M12 | 14 | 033-070-1214 | | | 033-070-12-1 | | 045-070-1214 | | | | | | | | |
| | M14 | 16 | 033-070-1416 | | | 033-070-14-1 | | 045-070-1416 | | | | | | | | 25 |
| | M16 | 16 | 033-070-1616 | | | - | | - | | | | | | | | |
| | M16 | 18 | 033-070-1618 | | | 033-070-16-1 | | 045-070-1618 | | | | | | | | |
| 10-70 | M18 | 20 | 033-070-1820 | | | 033-070-18-1 | | 045-070-1820 | | 50 | 60 | 152 | 28-78 | 13 | 35 | |
| | M20 | 20 | 033-070-2020 | | | - | | - | | | | | | | | |
| | M20 | 22 | 033-070-2022 | | | 033-070-20-1 | | 045-070-2022 | | | | | | | | 45 |
| | M20 | 24 | 033-070-2024 | | | - | | 045-070-2024 | | | | | | | | |
| | M20 | 28 | 033-070-2028 | | | - | | 045-070-2028 | | | | | | | | |
| 10-80 | M16 | 18 | 033-080-1618 | | | 033-080-16-1 | | - | | 60 | 68 | 170 | 30-90 | 15 | 35 | |
| | M18 | 20 | 033-080-1820 | | | - | | - | | | | | | | | |
| | M20 | 20 | 033-080-2020 | | | - | | - | | | | | | | | |
| | M20 | 22 | 033-080-2022 | | | 033-080-20-1 | | 045-080-2022 | | | | | | | | |
| | M20 | 24 | - | | | - | | 045-080-2024 | | | | | | | | |
| | M20 | 28 | - | | | - | | 045-080-2028 | | | | | | | | |
| | M22 | 24 | 033-080-2224 | | | 033-080-22-1 | | - | | | | | | | | 55 |
| | M24 | 24 | 033-080-2424 | | | - | | - | | | | | | | | |
| | M24 | 28 | 033-080-2428 | | | 033-080-24-1 | | 045-080-2428 | | | | | | | | |
| M24 | 36 | 033-080-2436 | | | - | | - | | | | | | | | | |

Spannbügel S 33 – S 45 Einzelteile



| Spannbügel | | Druckstück | | Befestigungssatz für T-Nute | | Befestigungssatz für Gewindebohrungen | | Befestigungssatz für 045 | | Druckplatte mit Feder und Schraube | | Schlüssel | | |
|------------|--------------|--------------|--------------|-----------------------------|-----|---------------------------------------|-----|--------------------------|--------|------------------------------------|-----------|-----------|--|--|
| Best.-Nr. | Best.-Nr. | Best.-Nr. | L | Best.-Nr. | L | Best.-Nr. | L | Best.-Nr. | L | Best.-Nr. | Best.-Nr. | | | |
| 033-045-13 | 039-2812 | - | - | - | - | 940-045-0810 | 65 | 991-010 | 620-13 | | | | | |
| | | 930-045-1010 | 100 | - | - | - | - | - | 620-16 | | | | | |
| | | - | - | 930-045-10-1 | 112 | 940-045-1012 | 65 | - | 620-18 | | | | | |
| | | 930-045-1212 | 100 | - | - | - | - | - | | | | | | |
| | | 930-045-1214 | 112 | 930-045-12-1 | 112 | 940-045-1214 | 65 | - | | | | | | |
| 033-045-17 | 039-3216 | 930-045-1416 | 112 | 930-045-14-1 | 125 | 940-045-1416 | 70 | 991-020 | 620-21 | | | | | |
| | | 930-045-1616 | 125 | - | - | - | - | - | 620-24 | | | | | |
| | | 930-045-1618 | 125 | 930-045-16-1 | 125 | 940-045-1618 | 75 | - | | | | | | |
| | | 930-045-1620 | 125 | - | - | 940-045-1620 | 80 | - | | | | | | |
| | | 930-045-1622 | 125 | - | - | 940-045-1622 | 80 | - | | | | | | |
| 033-070-17 | 039-3212 | 930-070-1012 | 132 | 930-070-10-1 | 140 | 940-070-1012 | 75 | 991-030 | 620-16 | | | | | |
| | | 930-070-1212 | 132 | - | - | - | - | | 620-18 | | | | | |
| | | 930-070-1214 | 132 | 930-070-12-1 | 140 | 940-070-1214 | 80 | | | | | | | |
| | 039-3216 | 930-070-1416 | 140 | 930-070-14-1 | 150 | 940-070-1416 | 85 | | 620-21 | | | | | |
| | | 930-070-1616 | 160 | - | - | - | - | | 620-24 | | | | | |
| | | 930-070-1618 | 150 | 930-070-16-1 | 160 | 940-070-1618 | 85 | | | | | | | |
| 033-070-21 | 039-4020 | 930-070-1820 | 160 | 930-070-18-1 | 160 | 940-070-1820 | 95 | 991-040 | 620-27 | | | | | |
| | | 930-070-2020 | 160 | - | - | - | - | | 620-30 | | | | | |
| | | 930-070-2022 | 160 | 930-070-20-1 | 160 | 940-070-2022 | 95 | | | | | | | |
| | | 930-070-2024 | 170 | - | - | 940-070-2024 | 105 | | | | | | | |
| | | 930-070-2028 | 180 | - | - | 940-070-2028 | 105 | | | | | | | |
| 033-080-25 | 039-4516 | 930-080-1618 | 160 | 930-080-16-1 | 160 | - | - | 991-070 | 620-24 | | | | | |
| | | 039-4520 | 930-080-1820 | 160 | - | - | - | | - | 620-27 | | | | |
| | 930-080-2020 | | 160 | - | - | - | - | | 620-30 | | | | | |
| | 930-080-2022 | | 180 | 930-080-20-1 | 180 | 940-080-2022 | 112 | | | | | | | |
| | - | | - | - | - | 940-080-2024 | 120 | | | | | | | |
| | - | | - | - | - | 940-080-2028 | 120 | | | | | | | |
| | 039-4524 | 930-080-2224 | 200 | 930-080-22-1 | 190 | - | - | | 620-32 | | | | | |
| | | 930-080-2424 | 200 | - | - | - | - | | 620-36 | | | | | |
| | | 930-080-2428 | 200 | 930-080-24-1 | 200 | 940-080-2428 | 115 | | | | | | | |
| | | 930-080-2436 | 224 | - | - | - | - | | | | | | | |

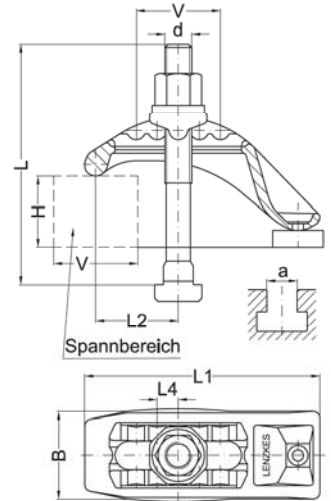
Spannbügel S 33 – S 45 komplett

Spannkraft: **bis 60 kN**

Einsatzgebiete vorzugsweise:
Kunststoff-, Umform- und Zerspanungstechnik

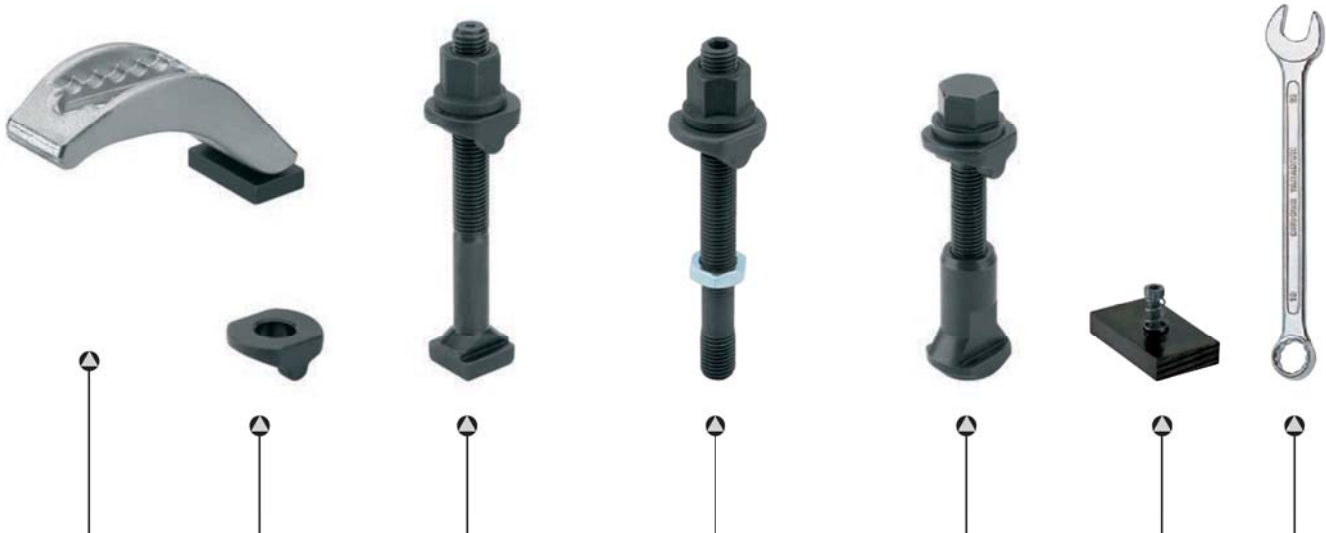
- vertikal stufenlos und horizontal im Rastermaß verstellbar
- bei S45 keine überstehenden Schraubenenden

- **Material:** legierter Edelstahl, gehärtet, dadurch höhere Spannkraft
- **Spannbügel:** gesenkgeschmiedet



| | | für T-Nutenführungen | | für Gewindebohrungen inkl. Stützmutter | | für T-Nutenführungen (kein überstehendes Gewinde) | | | | | | | |
|--------|-----|----------------------|--------------|--|-----------------|---|--------------|----|----|-----|--------|----|----|
| H | d | a | Best.-Nr. | | Best.-Nr. | | Best.-Nr. | V | B | L1 | L2 | L4 | kN |
| 30-110 | M10 | 12 | 033-110-1012 | | - | | 045-110-1012 | 75 | 53 | 190 | 25-95 | 15 | 18 |
| | M12 | 12 | 033-110-1212 | | - | | - | | | | | | 20 |
| | M12 | 14 | 033-110-1214 | | 033-110-12-1 | | 045-110-1214 | | | | | | 30 |
| | M14 | 16 | 033-110-1416 | | 033-110-14-1 | | 045-110-1416 | | | | | | |
| | M16 | 16 | 033-110-1616 | | - | | - | | | | | | |
| | M16 | 18 | 033-110-1618 | | 033-110-16-1 | | 045-110-1618 | | | | | | |
| 30-110 | M18 | 20 | 033-110-1820 | | 033-110-18-1 | | 045-110-1820 | 75 | 60 | 194 | 30-110 | 15 | 50 |
| | M20 | 20 | 033-110-2020 | | - | | - | | | | | | |
| | M20 | 22 | 033-110-2022 | | 033-110-20-1 | | 045-110-2022 | | | | | | |
| | M20 | 24 | 033-110-2024 | | - | | 045-110-2024 | | | | | | |
| 30-110 | M22 | 24 | 033-110-2224 | | 033-110-22-1 | | 045-110-2224 | 75 | 68 | 200 | 30-110 | 15 | 50 |
| | M24 | 24 | 033-110-2424 | | - | | - | | | | | | |
| | M24 | 28 | 033-110-2428 | | 033-110-24-1 | | 045-110-2428 | | | | | | 60 |
| | M24 | 32 | 033-110-2432 | | - | | 045-110-2432 | | | | | | |
| | M24 | 36 | 033-110-2436 | | - | | 045-110-2436 | | | | | | |
| | M30 | - | - | | 033-110-24-30-1 | | - | | | | | | |

Spannbügel S 33 – S 45 Einzelteile



| Spannbügel | | Druckstück | | Befestigungssatz für T-Nute | | Befestigungssatz für Gewindebohrungen | | Befestigungssatz für 045 | | Druckplatte mit Feder und Schraube | | Schlüssel | |
|------------|----------|--------------|-----|-----------------------------|-----|---------------------------------------|-----|--------------------------|---|------------------------------------|--|-----------|--|
| Best.-Nr. | | Best.-Nr. | | Best.-Nr. | L | Best.-Nr. | L | Best.-Nr. | L | Best.-Nr. | | Best.-Nr. | |
| 033-110-17 | 039-3212 | 930-110-1012 | 180 | - | - | 940-110-1012 | 100 | 991-030 | | 620-16 | | | |
| | | 930-110-1212 | 180 | - | - | - | - | | | 620-18 | | | |
| | | 930-110-1214 | 180 | 930-110-12-1 | 200 | 940-110-1214 | 105 | | | | | | |
| | 039-3216 | 930-110-1416 | 190 | 930-110-14-1 | 200 | 940-110-1416 | 110 | | | 620-21 | | | |
| | | 930-110-1616 | 200 | - | - | - | - | | | 620-24 | | | |
| | | 930-110-1618 | 200 | 930-110-16-1 | 200 | 940-110-1618 | 110 | | | | | | |
| 033-110-21 | 039-4020 | 930-110-1820 | 200 | 930-110-18-1 | 212 | 940-110-1820 | 115 | 991-060 | | 620-27 | | | |
| | | 930-110-2020 | 200 | - | - | - | - | | | 620-30 | | | |
| | | 930-110-2022 | 212 | 930-110-20-1 | 224 | 940-110-2022 | 120 | | | | | | |
| | | 930-110-2024 | 224 | - | - | 940-110-2024 | 130 | | | | | | |
| 033-110-25 | 039-4524 | 930-110-2224 | 224 | 930-110-22-1 | 224 | 940-110-2224 | 130 | 991-070 | | 620-32 | | | |
| | | 930-110-2424 | 224 | - | - | - | - | | | 620-36 | | | |
| | | 930-110-2428 | 224 | 930-110-24-1 | 250 | 940-110-2428 | 130 | | | | | | |
| | | 930-110-2432 | 230 | - | - | 940-110-2432 | 145 | | | | | | |
| | | 930-110-2436 | 230 | - | - | 940-110-2436 | 145 | | | | | | |
| | | - | - | 930-110-24-30-1 | 250 | - | - | | | | | | |

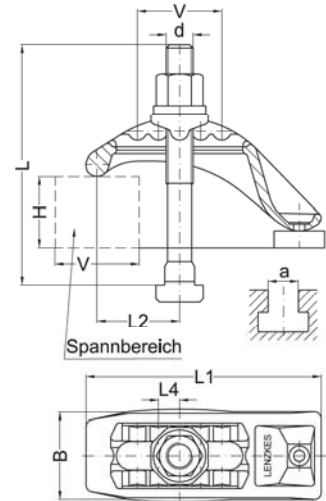
Spannbügel S 33 – S 45 komplett

Spannkraft: **bis 70 kN**

Einsatzgebiete vorzugsweise:
Kunststoff-, Umform- und Zerspanungstechnik

- vertikal stufenlos und horizontal im Rastermaß verstellbar
- höhere Spannkraft
- bei S45 keine überstehenden Schraubenenden

- Material: legierter Edelstahl, gehärtet, dadurch höhere Spannkraft
- Spannbügel: gesenkschmiedet



| | | für T-Nutenführungen | | für Gewindebohrungen inkl. Stützmutter | | für T-Nutenführungen (kein überstehendes Gewinde) | | | | | | | |
|---------|-----|----------------------|--------------|---|--------------|--|-----------|----|----|-----|--------|----|----|
| H | d | a | Best.-Nr. | Best.-Nr. | Best.-Nr. | Best.-Nr. | Best.-Nr. | V | B | L1 | L2 | L4 | kN |
| 40–120 | M20 | 20 | 033-120-2020 | – | – | – | – | 64 | 85 | 215 | 45–109 | 16 | 50 |
| | M20 | 22 | 033-120-2022 | 033-120-20-1 | – | – | 60 | | | | | | |
| | M24 | 24 | 033-120-2424 | – | – | – | 70 | | | | | | |
| | M24 | 28 | 033-120-2428 | 033-120-24-1 | – | – | | | | | | | |
| | M30 | 36 | 033-120-3036 | 033-120-30-1 | – | – | | | | | | | |
| | M30 | 42 | 033-120-3042 | – | – | – | | | | | | | |
| 60–160 | M20 | 20 | 033-160-2020 | – | – | – | – | 80 | 85 | 250 | 45–125 | 16 | 50 |
| | M20 | 22 | 033-160-2022 | 033-160-20-1 | 045-160-2022 | – | 60 | | | | | | |
| | M24 | 24 | 033-160-2424 | – | – | – | 70 | | | | | | |
| | M24 | 28 | 033-160-2428 | 033-160-24-1 | 045-160-2428 | – | | | | | | | |
| | M30 | 36 | 033-160-3036 | 033-160-30-1 | – | – | | | | | | | |
| | M30 | 42 | 033-160-3042 | – | – | – | | | | | | | |
| 90–180 | M16 | 18 | 033-180-1618 | 033-180-16-1 | 045-180-1618 | – | – | 90 | 70 | 240 | 35–125 | 15 | 35 |
| | M18 | 20 | 033-180-1820 | 033-180-18-1 | 045-180-1820 | – | 50 | | | | | | |
| | M20 | 20 | 033-180-2020 | – | – | – | | | | | | | |
| | M20 | 22 | 033-180-2022 | 033-180-20-1 | 045-180-2022 | – | | | | | | | |
| | M20 | 24 | – | – | 045-180-2024 | – | | | | | | | |
| | M22 | 24 | 033-180-2224 | – | 045-180-2224 | – | | | | | | | |
| | M24 | 24 | 033-180-2424 | – | – | – | 60 | | | | | | |
| | M24 | 28 | 033-180-2428 | 033-180-24-1 | 045-180-2428 | – | | | | | | | |
| | M24 | 36 | 033-180-2436 | – | 045-180-2436 | – | | | | | | | |
| | M30 | – | – | 033-180-24-30-1 | – | – | | | | | | | |
| 130–260 | M16 | 18 | 033-260-1618 | – | 045-260-1618 | – | – | 90 | 70 | 280 | 40–130 | 15 | 35 |
| | M18 | 20 | 033-260-1820 | – | – | – | 50 | | | | | | |
| | M20 | 22 | 033-260-2022 | 033-260-20-1 | 045-260-2022 | – | | | | | | | |
| | M20 | 24 | – | – | 045-260-2024 | – | | | | | | | |
| | M22 | 24 | 033-260-2224 | – | – | – | | | | | | | |
| | M24 | 28 | 033-260-2428 | 033-260-24-1 | 045-260-2428 | – | | | | | | | |
| | M24 | 36 | 033-260-2436 | – | – | – | 60 | | | | | | |
| | M30 | – | – | 033-260-24-30-1 | – | – | | | | | | | |

Spannbügel S 33 – S 45 Einzelteile



| Spannbügel | | Druckstück | Befestigungssatz für T-Nute | | Befestigungssatz für Gewindebohrungen | | Befestigungssatz für 045 | | Druckplatte mit Feder und Schraube | Schlüssel | | | |
|------------|--|--------------|--------------------------------|-----------------|--|--------------|-----------------------------|--------------|--|-----------|--------|--------|--------|
| Best.-Nr. | | Best.-Nr. | Best.-Nr. | L | Best.-Nr. | L | Best.-Nr. | L | Best.-Nr. | Best.-Nr. | | | |
| 033-120-31 | | 039-6220 | 930-120-2020 | 250 | - | - | - | - | 991-070 | 620-30 | | | |
| | | | 930-120-2022 | 250 | 930-120-20-1 | 250 | - | - | | | | | |
| | | | 039-6224 | 930-120-2424 | 250 | - | - | - | | | - | 620-36 | |
| | | | | 930-120-2428 | 250 | 930-120-24-1 | 250 | - | | | - | | |
| | | | 039-6230 | 930-120-3036 | 280 | 930-120-30-1 | 280 | - | | | - | 620-46 | |
| | | | | 930-120-3042 | 290 | - | - | - | | | - | | |
| 033-160-31 | | 039-6220 | 930-160-2020 | 265 | - | - | - | - | 991-070 | 620-30 | | | |
| | | | 930-160-2022 | 280 | 930-160-20-1 | 300 | 940-160-2022 | 165 | | | | | |
| | | | 039-6224 | 930-160-2424 | 290 | - | - | - | | | - | 620-36 | |
| | | | | 930-160-2428 | 290 | 930-160-24-1 | 315 | 940-160-2428 | | | 170 | | |
| | | | 039-6230 | 930-160-3036 | 315 | 930-160-30-1 | 315 | - | | | - | 620-46 | |
| | | | | 930-160-3042 | 315 | - | - | - | | | - | | |
| 033-180-25 | | 039-4516 | 930-180-1618 | 265 | 930-180-16-1 | 280 | 940-180-1618 | 175 | 991-070 | 620-24 | | | |
| | | | 039-4520 | 930-180-1820 | 265 | 930-180-18-1 | 280 | 940-180-1820 | | | 180 | 620-27 | |
| | | | | 930-180-2020 | 265 | - | - | - | | | - | | 620-30 |
| | | | | 930-180-2022 | 280 | 930-180-20-1 | 300 | 940-180-2022 | | | 185 | | |
| | | - | | - | - | - | 940-180-2024 | 185 | | | | | |
| | | 039-4524 | | 930-180-2224 | 280 | - | - | 940-180-2224 | | 190 | 620-32 | | |
| | | | | 930-180-2424 | 290 | - | - | - | | - | | | 620-36 |
| | | 930-180-2428 | 290 | 930-180-24-1 | 315 | 940-180-2428 | 190 | | | | | | |
| | | 930-180-2436 | 290 | - | - | 940-180-2436 | 190 | | | | | | |
| | | - | - | 930-180-24-30-1 | 315 | - | - | | | | | | |
| 033-260-25 | | 039-4516 | 930-260-1618 | 360 | - | - | 940-260-1618 | 215 | 991-070 | 620-24 | | | |
| | | | 039-4520 | 930-260-1820 | 360 | - | - | - | | | - | 620-27 | |
| | | | | 930-260-2022 | 365 | 930-260-20-1 | 385 | 940-260-2022 | | | 225 | | 620-30 |
| | | | | - | - | - | - | 940-260-2024 | | | 225 | | |
| | | 039-4524 | 930-260-2224 | 370 | - | - | - | - | | 620-32 | | | |
| | | | 930-260-2428 | 380 | 930-260-24-1 | 400 | 940-260-2428 | 230 | | | 620-36 | | |
| | | | 930-260-2436 | 380 | - | - | - | - | | | | | |
| | | | - | - | 930-260-24-30-1 | 400 | - | - | | | | | |